

Personals

1918

William B. Nulsen writes that "I'm still professor of electrical engineering at the University of New Hampshire in Durham — and I still play golf in the 80's."

1925

Michael C. Brunner retired from the Shell Oil Company in 1958 after 2½ years as senior American representative with Royal Dutch Shell in The Hague, Netherlands.

"After returning to the States in February 1958," writes Mike, "I tried a month in the New York office but I decided that the West was the place to live. We bought a place in Corona del Mar in June '58. I was also officially retired from the Army last month as Colonel in the Corps of Engineers. Having retired twice now, it should take."

1928

Dr. Harvey Billig, Jr., medical director of the Billig Clinic in Los Angeles, was recently elected 1960 president of the surgical section of the Los Angeles Medical Society.

1930

J. R. Lester Boyle writes that he's "still doing the same thing I've done for the last 15 years — president and consulting civil engineer with the Boyle engineering offices in Santa Ana, San Diego, and Bakersfield. Our total staff now numbers approximately 110 persons and we work on municipal engineering, water, sewers, dams, highways, etc. We have two boys in college working on engineering courses. My golf handicap is nine and I belong to the Santa Ana Rotary Club and the Santa Ana Country Club. We live in Newport Beach overlooking Newport Harbor. We've been married 24 years now and are enjoying life, working hard, and have indulged in some foreign travel."

1934

Guy O. Miller writes that he is retired and "living on the beautiful Lake of the Ozarks in central Missouri. My present occupations are fishing and whittling, but I am also secretary of the Lake of the Ozarks Yachting Association and a member of the Camdenton, Mo., Rotary Club.

During the past year, my wife and I made a trip around the world on the *S.S. President Jackson*, a deluxe cargo boat, in 80 days. I expect to be in Pasadena probably sometime in January to look the place over and make a contribution to the Development Fund."

1935

James B. Stoddard writes that he has been a member of the City Council of Newport Beach since April 1955, and mayor of the city since April 1958. "My term as mayor ends in April 1960," he writes, "and the council term ends in April 1962. The city has a seven-man council, with the mayor chosen by them, from their membership, for a two-year term."

1936

W. E. Swanson is vice president and general manager of the Roberts Construction Company, with headquarters in Lincoln, Nebraska. This year the company is doing heavy and highway construction in the states of Nebraska, Kansas, Wyoming, Colorado and New Mex-

continued on page 46

CRESCENT

Insulated Wires and Cables

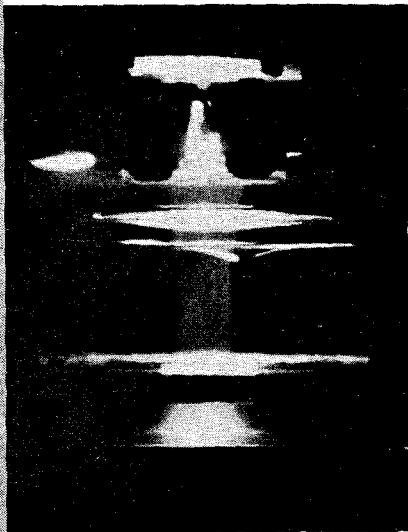


Pictured here are just a few of the many wires and cables made by CRESCENT. They have an enviable reputation for quality and endurance.

CRESCENT INSULATED WIRE & CABLE CO.
TRENTON, N.J.

An
announcement
of importance
to
PHYSICISTS

Ion Propulsion Experiment



Only occasionally do *truly* outstanding professional opportunities with a vital, growing organization become available. New and expanding programs in the Fluid Physics Division of EOS* have created positions of this exceptional caliber for both theoretical and applied physicists. These rewarding appointments on the technical staff will be concerned with pioneering efforts in the fields of . . .

**Magneto-hydrodynamics
Electrically Exploding Wires
Electromagnetics
Nuclear and Molecular Physics
Ion and Plasma Propulsion**

Creative scientists — men with ideas and curiosity — who hold an advanced degree and have pertinent research experience, are invited to write in confidence to the Senior Technical Staff Placement Director for additional information.

*Founded in 1956, Electro-Optical Systems is conducting advanced research and development programs in solid state devices, energy research and advanced power systems, fluid physics, advanced electronics and space defense systems.

ELECTRO-OPTICAL SYSTEMS, INC. **E** 170 NORTH DAISY AVENUE,
Murray 1-0408 **S** PASADENA, CALIFORNIA

Personals . . . continued

ico. Wally is also serving this year as vice president and director of the Nebraska Chapter of Associated General Contractors, and he was recently nominated to serve a three-year term as a national director of the A.G.C. of America.

1937

Vernon A. C. Gevecker, MS, who has been serving as assistant dean of the faculty of the University of Missouri's School of Mines and Metallurgy, has now returned to teaching duties as professor of civil engineering.

1938

Donald S. Taylor, PhD, vice president of U.S. Borax & Chemical, was recently appointed president of the U.S. Borax Research Corporation.

Robert C. McMaster, MS, PhD '44, received the annual Deforest Award for outstanding contribution from the Society for Nondestructive Testing, Inc., last month. Bob is professor of welding engineering at Ohio State University.

August V. Segelhorst writes that he "moved from Corona del Mar to Houston, Texas, last May because my firm, the S. R. Bowen Company in Santa Fe Springs, was purchased by Bowen ITCO, Inc., in Houston. Both companies were (and are) manufacturers of oil well fish tools and wire line equipment. I ended up as chief engineer of the combined companies.

"I stopped at a signal last week and noted a Tech sticker on the car alongside. I yelled at the fellow, who turned out to be *Larry Fleming* '37. He has been here for three years with Southwestern Industrial Electronics, but has just quit to go back to southern California (lucky boy). I also saw *John Stick* '35, at the AIME meeting in Dallas recently. He is now in Houston as chief log analyst with the Lane-Wells Company."

Elbert F. Osborn, PhD, dean of the College of Mineral Industries at Penn State, has now been appointed vice president for research at the University. He has been on the Penn State faculty since 1946.

1939

Arthur J. Stosick, PhD, is now assistant to the director of the John Jay Hopkins Laboratory for Pure and Applied Science in San Diego.

James E. LuValle, PhD, is now director of chemical research for the newly-formed physical chemistry laboratory at the Fairchild Camera and Instrument Corporation in Syosset, N.Y. He was formerly projects director at Technical Operations, Inc.

continued on page 50

1940

Lt. Col. William W. Stone, Jr., MS '41, is now attending the Army War College at Carlisle Barracks in Pennsylvania. He is taking a ten-month course which prepares selected officers for future assignments to top staff and command positions in the Armed Forces.

Erwin Baumgarten, a staff member of the Operations Evaluation Group of the U.S. Navy, is serving as professor of physical sciences at the Naval War College in Newport, R.I., for the current academic year. Last year he was on the staff of Commander First Fleet in San Diego, as operations analyst.

1941

Lawrence C. Widdoes is vice president and general manager of the Internuclear Company in St. Louis, Mo. The firm specializes in engineering, design and consulting in the atomic power and nuclear energy field.

Reuben P. Snodgrass, MS '42, director of flight research in the aeronautical equipment division of the Sperry Gyroscope Company in Great Neck, L.I., has had a new instrument patented — a navigation aid for piloted aircraft.

1942

Murray L. Lesser is now manager of the research technical staff of the IBM Corporation in Yorktown, N.Y. He has been with IBM since 1954.

Capt. Robert M. Gibbons, AE, writes that he has been Bureau of Aeronautics representative at the El Segundo Division of Douglas Aircraft for the past three years. He leaves the U.S. Naval Service next summer, and his future plans are undetermined.

1943

Edward Brown writes that "I moved to Detroit over a year ago to be director of engineering at Vickers Machinery Division. It was a major change because I've lived in Los Angeles most of my life, and since graduation I've worked in the aircraft industry and related fields. We now have five boys in the family — added another one last year."

1945

Robert E. Phillips, PhD, '53, formerly chief chemist at the California Foundation for Biochemical Research, is now vice president of G. K. Turner Associates in Palo Alto.

1946

James B. Stichka is now plant superintendent of the Richmond fertilizer manufacturing operation of the California Spray-Chemical Corporation. He was formerly in the company's engineering division, supervising design and construction at the Richmond and Kennewick, Wash., fertilizer plants.

Frank H. Lamson-Scribner, Jr., is now with the International Bank for Reconstruction and Development (World Bank) in Washington, D.C.

Stuart R. Bates writes that he received his MS from USC in August, and that he has a son — Ward Jonathan, 2.

1947

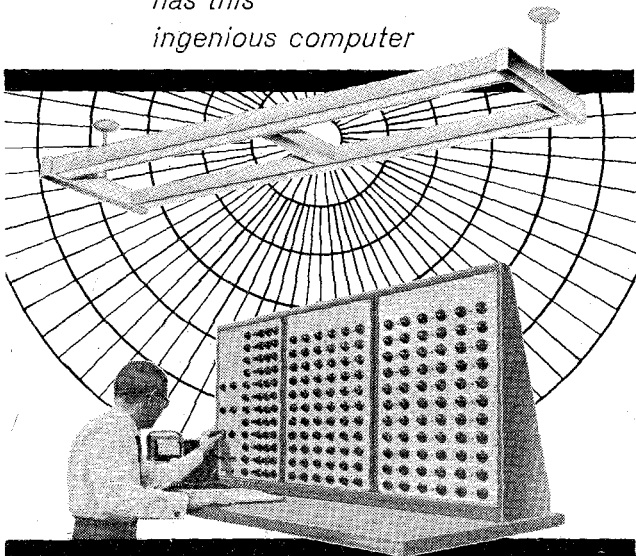
Joseph Rosener, Jr., is now vice president and general manager of the Gianini Plasmadyne Company in Santa Ana. The company does research and development in the field of high temperature physics, and manufactures plasma generators. Joe, his wife and three children, live on Lido Island. "We are having a perpetual vacation here," writes Joe, "As sad as we were to leave Pasadena, we must admit that the blue sky and a swim at lunchtime are mighty nice."

continued on page 54

Smoot-Holman
and only

SMOOT-HOLMAN

has this
ingenious computer



This scientific Smoot-Holman analogue computer can find the solution to your lighting problem. After being fed all relevant facts, it scientifically determines requirement specifications of fixtures that will deliver desired performance. Contact Smoot-Holman for the correct solution to your lighting problem.

SMOOT-HOLMAN COMPANY Inglewood, California

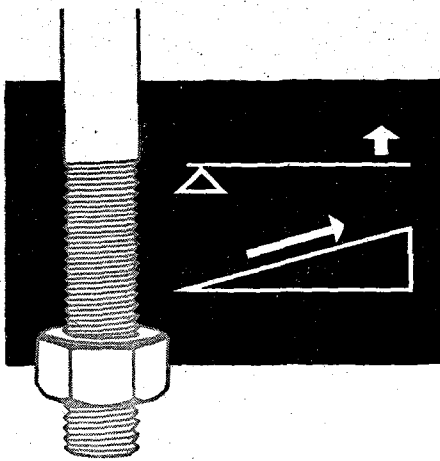
Starting Salaries

The Engineers and Scientists of America has conducted a further study of the trends of starting salaries for newly graduated engineers. From the data available we have prepared recommended minimum starting salaries for various levels of experience and class standing.

Copies of this recommended minimum standard have been sent to your Dean of Engineering, Engineering Library, Placement Director, and Chairmen of the Student Chapters of the various Technical Societies.

We would be happy to send you a complimentary copy upon request.

Engineers and Scientists of America
Munsey Building
Washington 4, D. C.



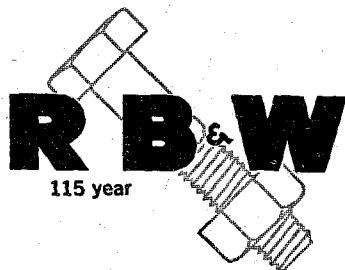
Take advantage of the **MECHANICAL ADVANTAGE**

The screw is a combination of two mechanical principles: the lever, and the inclined plane in helical form. The leverage applied to the nut combines with motion of the nut around the bolt to exert tremendous clamping force between the two.

One of the greatest design errors today, in fact, is failure to realize the mechanical advantages that exist in standard nuts and bolts. Smaller diameters and less costly grades of fasteners tightened to their full capacity will create far stronger joints than those utilizing bigger and stronger fasteners tightened to only a fraction of their capacity. Last year, one of our engineers showed a manufacturer how he could save \$97,000 a year simply by using *all* the mechanical advantages of a less expensive grade.

When you graduate, make sure you consider the mechanical advantages that RB&W fasteners provide. And make sure, too, that you consider the career advantages RB&W offers mechanical engineers—in the design, manufacture and application of mechanical fasteners. If you're interested in machine design—or sales engineering, write us for more information.

RUSSELL, BURDSALL & WARD
BOLT AND NUT COMPANY
Port Chester, N. Y.



Personals . . . continued

Richard C. Gerke, MS, has opened his own office in Pasadena—Richard C. Gerke & Associates, which handles part-time sales work for technical accounts. Dick was formerly with the Vinnell Steel Company in Irwindale, as special products manager.

Carl P. Spaulding is now president of the Datex Corporation in Monrovia. He has been with the company since its establishment as a division of the Giannini Controls Corporation. The Spauldings live in San Marino and have three sons.

1948

William A. Barker, MS, associate professor of physics at St. Louis University, is also a consultant for the Argonne National Laboratories. The Barkers have five children—three girls and two boys.

Raymond V. Adams, PhD, professor of physics at Wayne State University in Detroit, has been acting chairman of the department since the resignation of *J. Earl Thomas, Jr., PhD '43*, last January. Earl is now director of research and engineering at the semiconductor division of Sylvania Electric Products, Inc., in Woburn, Mass.

Walter P. Eatherly, MS '49, is now assistant director of the research laboratory of the National Carbon Company, a division of the Union Carbide Corporation, at Parma, Ohio. He joined the company in 1956, and is now also working for his PhD at the University of Illinois.

1949

Rolf M. Sinclair writes that "on June 13, 1959 I was married in the Princeton University Chapel to Margaret Lee Andrews. Before our marriage, my wife was a soloist in the Royal Ballet with the stage name of Margaret Lee. Any wandering alumni who saw them at Covent Garden Opera House in London or during their European tours probably saw her in some of the leading roles. We were engaged in London last year, and after the Royal Ballet toured Margaret's native Australia last winter, she left them and came to this country. We are now living in Princeton, where I am working at the University on Project Matterhorn."

1950

Robert C. Howard, MS, PhD '53, writes that, "in 1957 I moved to Santa Ana and the Giannini Controls Corporation where I head up the development of new components and subsystems, do proposal work, and turn fireman as the occasion demands. I'm also a member of the Corporate Engineering staff, which endeavors to guide the long-term activity. We have two daughters, a son, and one on the way. I am learning to fly a hot airplane—the Piper Super Cub. And I've got

several patents pending for avionic subsystem concepts."

1951

Woldemar F. von Jaskowsky, MS, writes that "I joined the Giannini Plasma-dyne Corporation in Santa Ana in September 1958 as a physicist (senior research scientist). As our company representative, I am engaged in the Boy Scout Science Explorer Program, which stimulates interest in the fields of science and technology, through the joint efforts of the Boy Scouts, the schools, and industry."

1952

Jesse L. Weil writes from Houston, Texas, that "I received my PhD in physics from Columbia University in October 1958, and then traveled for a month in Europe. I sailed back across the Atlantic (from Barcelona to the British West Indies) with a couple of friends in a 37-foot yawl. I am now a research associate at Rice Institute, but expect to spend eight months next year at the University of Hamburg in Germany, helping them to get their new Van de Graff lab well started."

Martin L. Sandell, systems engineer at Consolidated Systems Corporation in Monrovia, recently returned from a trip to Japan, where he installed a mass spectrometer at the Japanese Atomic Energy Institute.

1955

William G. Sly, PhD, assistant professor of chemistry at Harvey Mudd College in Claremont, writes that he's been at the college for two years now, teaching physical chemistry, and enjoying it—despite the difficulties inherent in matching such material to sophs.

Sigmund Redelsheimer, MS, is now aerodynamics group leader in the space group of the advanced design department of the McDonnell Aircraft Corporation in St. Ann, Mo.

1957

Frank E. Goddard, PhD, department chief of aeronautics and propellants at JPL, is now the Lab's representative to the National Aeronautics and Space Administration in Washington, D.C. He's been at JPL since 1949.

1958

Lt. Robert Polansky writes that "I'm still a 2nd Lt. in the Air Force but have changed jobs here at Edwards AFB. I used to work for the Experimental Track Branch but now I'm with the Base Instrumentation Section as an electrical engineer."