

Personals

1926

Domenick J. Pompeo, who retired last June after 32 years with the Shell Oil Company, died of cancer on September 20. Domenick was founder and head of the Shell instrumentation department at Emeryville, and was responsible for the development of nearly 100 devices—from a recording retractometer to a reflux ratio controller. He is survived by his wife, Cora.

1929

Charles M. Wolfe, MS, PhD '32, is now head of the transducer engineering department of Borg-Warner Controls in Santa Ana. He was formerly a research specialist at United Electrodynamics.

1934

Milton U. Clauser, MS '35, PhD '37, is president of the newly-formed Clauser Technology Corporation, in Torrance. The company will engage in the development and production of electronic equipment and instruments "for the missile age." He was formerly vice president and director of research at Space Technology Laboratories, a subsidiary of the Ramo-Wooldridge Corporation.

1935

Charles F. Thomas has been appointed manager of marketing and planning for The Radio Corporation of America's major defense systems organization in Moorestown, N.J. He joins RCA after 25 years with the Lockheed Aircraft Corporation, where he has been serving as director of military sales since 1952.

1940

Fred Brose has been made production manager of the Datex Corporation in Monrovia. He was formerly assistant operations manager, and has been with the company since 1957. Fred is married and has three daughters and a son.

1941

Fred W. Billmeyer, Jr., senior research chemist at the Du Pont Experimental Station near Wilmington, Del., is on leave this year to conduct a course in high polymer technology at MIT. Fred has been with Du Pont since 1945.

1942

Howard C. Hall is resident manager of Crown Zellerbach's pulp and paper mill in St. Helens, Oregon. He has been

with the company since 1947.

William L. Rogers is now vice president of Aerojet-General's Azusa plant. He has been vice president of Azusa Operations for the past two years and will now have responsibility for all service functions and operating activities at the plant.

1943

Oscar D. Terrell has been made manager of purchasing at the Knolls Atomic Power Laboratory in Schenectady, New York. KAPL is operated by General Electric for the U. S. Atomic Energy Commission. The Terrells and their three sons live in Schenectady, New York.

Ralph Willits is now chief project engineer of the engineering design section at the Socony Mobile Oil Company's Ferndale, Washington, refinery. He was formerly with the engineering department of General Petroleum in Torrance, California, and moved to Washington last June when General Petroleum was integrated into the parent company. The Willits' and their two daughters (10 and 7) have been enjoying the water-skiing and fishing in their new location.

1945

William F. Gulley is now assistant regional manager of the western division of the Rockwell Manufacturing Company. He will continue to live in San Francisco where he was formerly district manager for Rockwell. He has been with the company for 13 years.

Franklin Sproles Edwards, MS, died on October 19, at Starkville, Miss., of a stroke suffered the day before. He was 47 years old. He had been at Mississippi State University since 1941, and had served as head of the aeronautical engineering department there since 1947.

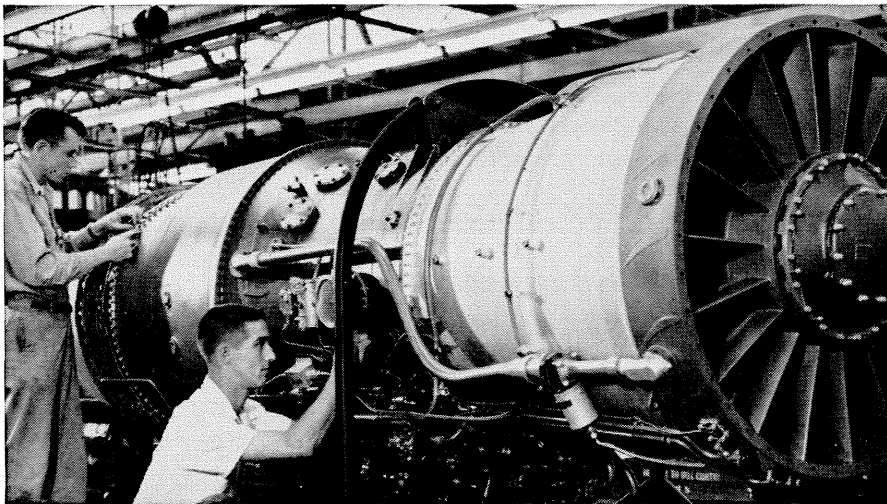
1947

Robert G. Hawthorne has been promoted to senior research engineer at the Union Oil Company of California's Research Center in Brea.

Manfred Eimer, MS '48, PhD '53, has been appointed to the newly-created position of deputy division chief in the reorganization of the Space Sciences Division of Caltech's Jet Propulsion Laboratory.

Justin L. Bloom is now project engineer of the Advanced SNAP Programs (Systems for Nuclear Auxiliary Power) in the nuclear division of The Martin Company in Baltimore. He has been chief of the materials management branch of the San Francisco Operations

continued on page 42



Fafnir Ball Bearings help turbojets set new performance records

A recent article in a leading newspaper quoted airline executives to the effect that Pratt and Whitney Aircraft jet engines are proving to be the most reliable ever put into commercial planes.

In designing these jet engines, Pratt & Whitney Aircraft looked to The Fafnir Bearing Company as a major source for main rotor thrust bearings, generally regarded as among the critical engine components, and one of the most exacting to produce. Each ball bearing is custom-built and rigorously tested. Tolerances are held to the millionths-of-an-inch.

P&WA turned to Fafnir because of Fafnir's long experience in the design and development of aircraft bearings. Fafnir established an air-

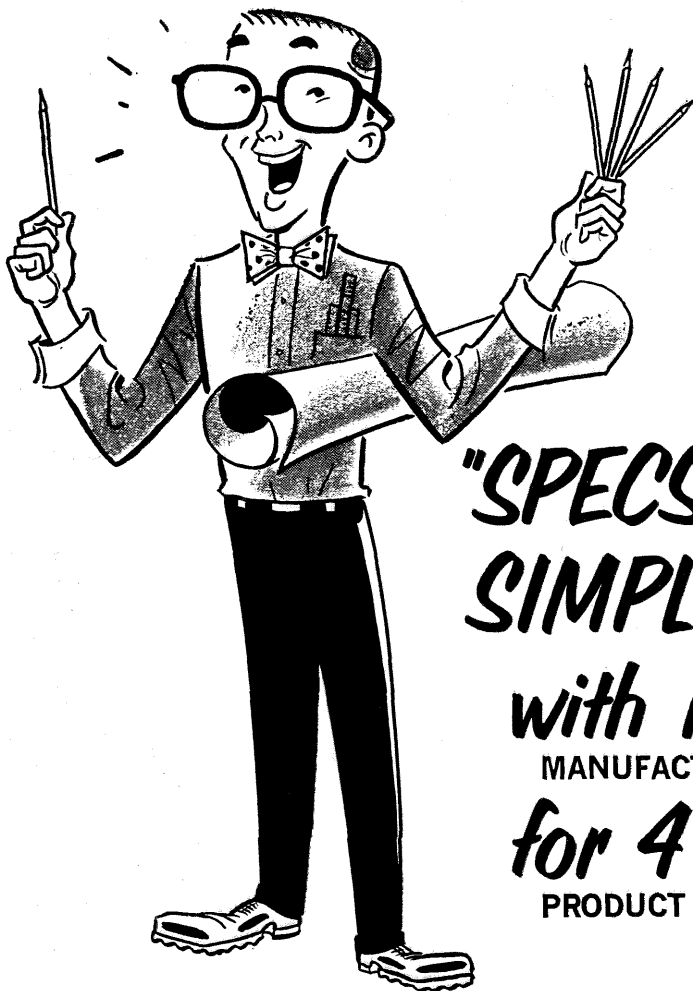
craft division thirty years ago, the first in the industry, and through it, is keeping pace with the revolutionary changes in aircraft design.

To help solve this and other ball bearing problems, Fafnir maintains the most up-to-date facilities for metallurgical research, and bearing development and testing. Fafnir may be able to help you some day. Worth bearing in mind. The Fafnir Bearing Company, New Britain, Connecticut.



FAFNIR
BALL BEARINGS

Most Complete Line in America



**"SPECS"
SIMPLIFY
with 1
MANUFACTURER
for 4
PRODUCT LINES**

Chances are you'll eventually be involved
in some way with specifications for:

**AIR CONDITIONING
REFRIGERATION
HEATING
HEAT TRANSFER**

and chances are you'll profit by knowing

DUNHAM-BUSH

the One Manufacturer providing
"one source-one responsibility" for all 4.

DUNHAM-BUSH, INC.

WEST HARTFORD 10 • CONNECTICUT • U. S. A.

Personals . . . continued

Office of the U.S. Atomic Energy Commission for the past four years. The Blooms have a daughter and a son.

1949

Thomas H. Wakeman is now manager of plate, structural and bar sales at the Kaiser Steel Corporation's Oakland, California, office. He joined the company's sales division in 1950 and has been mid-continent sales manager since 1954. The Wakemans have two children.

Virgil J. Berry, Jr., MS, PhD, '51, is director of the petroleum engineering research division at the Sinclair Research Laboratories, Inc., in Tulsa, Okla. He was formerly research group supervisor at the Pan American Petroleum Corporation in Tulsa.

1950

Worthie Doyle, PhD, formerly a staff member at the Lincoln Laboratories in Lexington, Massachusetts, is now at Aeronautics in Newport Beach, California.

J. Robert Holmes, MS, has been appointed manager of reliability engineering at the Owego facility of IBM's Federal Systems Division in Vestal, N.Y. He has been with the company since 1951 and was formerly manager of reliability evaluation.

Dean A. Rains, MS '51, PhD '54, is now manager of the systems design branch of the United Technology Corporation in Sunnyvale, Calif.

Donald J. Gimpel, MS, has been appointed vice president in charge of engineering at the Arnoux Corporation in Los Angeles. Before joining Arnoux in 1958, he was director of the computer systems department of Panellit, Inc.

1951

William V. Wright, PhD '55, is now a vice president of Electro-Optical Systems, Inc., in Pasadena. He will continue in his present position as manager of the company's solid state division. He came to Electro-Optical in 1957 from Pacific Semiconductors, Inc., where he was program director of semiconductor materials.

1952

Raymond L. Heacock, MS '53, now chief of the space instruments section in the Space Sciences Division at Caltech's Jet Propulsion Laboratory, will be responsible for scientific instrumentation on spacecraft. He has been in the computer group at JPL since 1953.

John C. Porter, Jr., MS '58, formerly a staff engineer on assignment to NASA headquarters in Washington, is now
continued on page 44

Engineering and Science

chief of the research analysis section of the Space Sciences Division at Caltech's Jet Propulsion Laboratory.

Henry L. Richter, Jr., PhD '56, has joined the staff of Electro-Optical Systems, Inc., in Pasadena. He will manage the company's newly-formed advanced electronics and information systems division. He was formerly chief of the space instruments section of the Space Sciences Division at Caltech's Jet Propulsion Laboratory.

1953

M. Edmund Ellion, PhD, is president of Dynamics Science Corporation, a subsidiary of Marshall Industries in South Pasadena. He was formerly project engineer at the Given Manufacturing Company in Pasadena.

James T. LaTourrette has joined the staff of the General Electric Research Laboratory in Schenectady, New York. After receiving his MS and PhD from Harvard, he studied at Bonn University in Germany and, prior to joining General Electric, he served as a lecturer at Harvard University. The LaTourettes and their two children are living in Scotia, New York.

Carl A. Rambow, MS '58, received his PhD from the University of Wisconsin last June, and is now working for the California Research Corporation in La Habra. The Rambows have three children — Michael, 3; David, 2; and Barbara, born last September.

William A. Averte writes from Costa Rica that "after several months as a consultant for the Venezuelan Government Ministry of Mines and Hydrocarbons, we finally made it to Costa Rica. Since the engineering field is almost a closed corporation here and the obstacles for a graduate from other than the University of Costa Rica are substantial, a new career is in order. For the present, I am seriously considering raising pigs. Not pig iron, but the kind of pig that walks around on four feet and grunts. They also eat a lot — however, I think that they leave a good profit and that's what I like."

1955

Delano Brouillete, MS '56, will head a newly-formed servomechanism group at the Datex Corporation in Monrovia. He was formerly senior engineer at Librascope, Inc., in Glendale.

Saul Feldman, PhD, is now a principal scientist in the fluid physics division of Electro-Optical Systems, Inc., in Pasadena. Before that, he was principal research scientist at the AVCO-Everett Research Laboratory in Massachusetts.

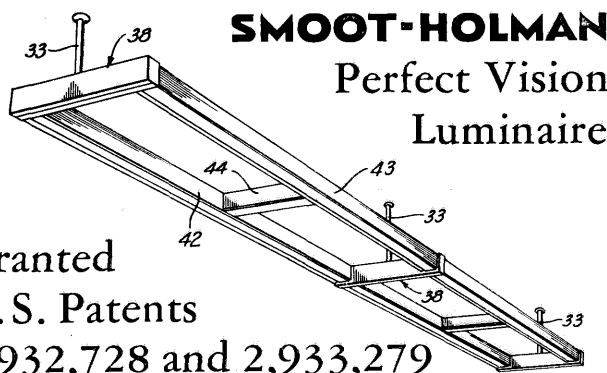
James R. Bowden, MS, research group leader in Continental Oil Company's research and development department at Ponca City, Okla., is at MIT on a Sloan Fellowship.

John J. Merrill, MS '56, has been promoted from instructor in physics to assistant professor at the Harvey Mudd College in Claremont.

Stanley L. Grotch, MS '56, is now an engineer in the chemical engineering department of the Shell Development Company's Emeryville research center.

1958

Nathaniel Grossman writes that he is working for his PhD in mathematics at the Institute of Technology of the University of Minnesota and has been teaching for the past two years. He has received the NSF Cooperative Graduate Fellowship for the coming year so that now he can devote full time to research and credit-gathering.



**Granted
U.S. Patents
2,932,728 and 2,933,279**

Proof Positive of Lighting Leadership!

Only a genuinely original contribution to the art of lighting earns the recognition of the U.S. Patent Office. The broad coverage of these patents is evidenced by the fact that *twelve* separate claims were allowed. The high performance Perfect Vision Luminaire is typical of Smoot-Holman originality in lighting fixture development. Smoot-Holman is the only lighting manufacturer using its own analogue computer to insure maximum efficiency in fixture design. For your next lighting job check Smoot-Holman first!



SMOOT-HOLMAN COMPANY Inglewood, California

**ALUMNI DIRECTORY
SUPPLEMENT**

A supplement to the 1960 Alumni Directory will be ready for distribution sometime after the first of January, 1961. This supplement will list the names and addresses of those who received degrees in June, 1960. Copies of this supplement will be sent automatically to Association members who received degrees in 1960. Other Association members may secure a copy of this supplement by filling in the form below and sending it to the Alumni Office.

Please send the 1960 Supplement of the 1960 Alumni Directory to:

Name.....
Address.....
City..... State.....